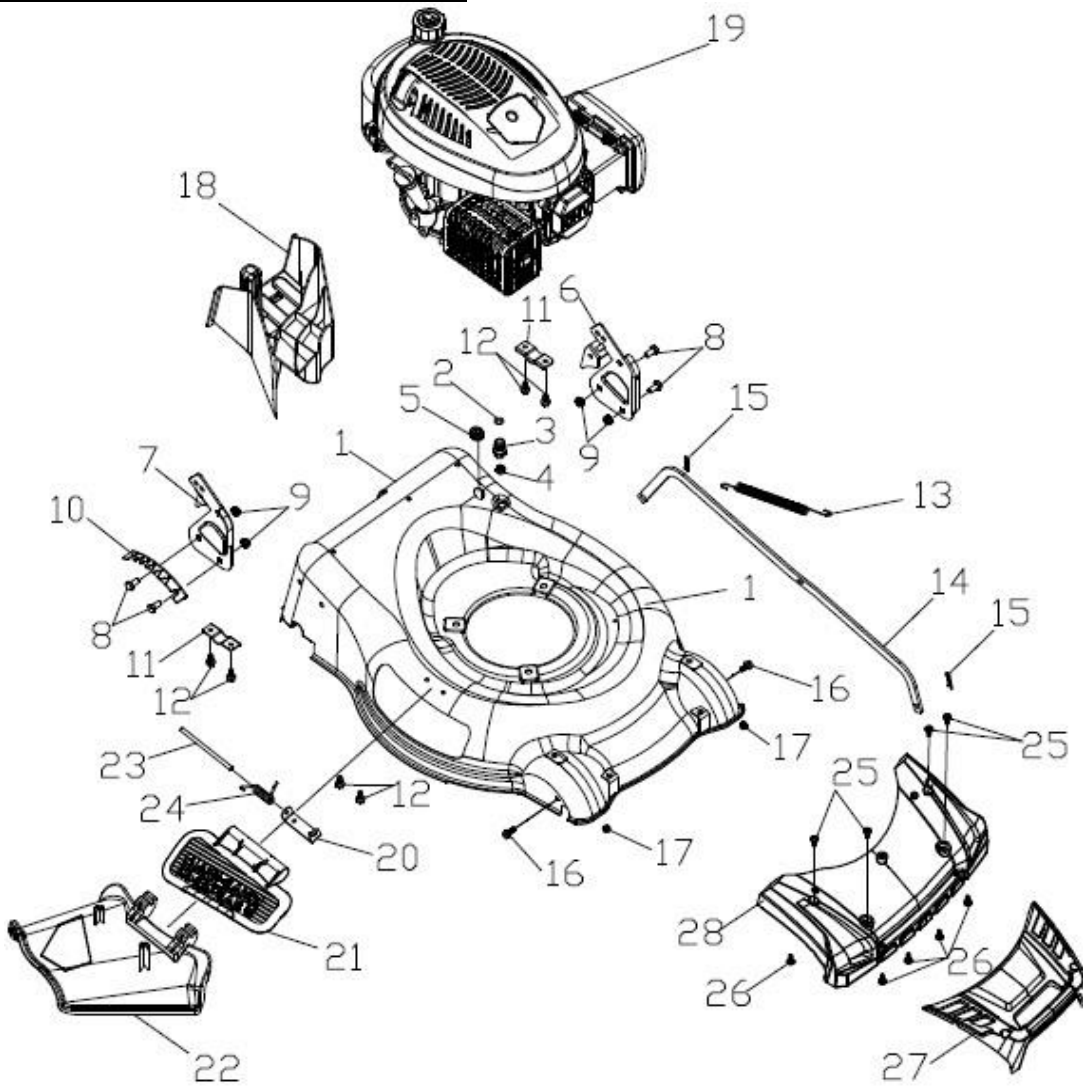


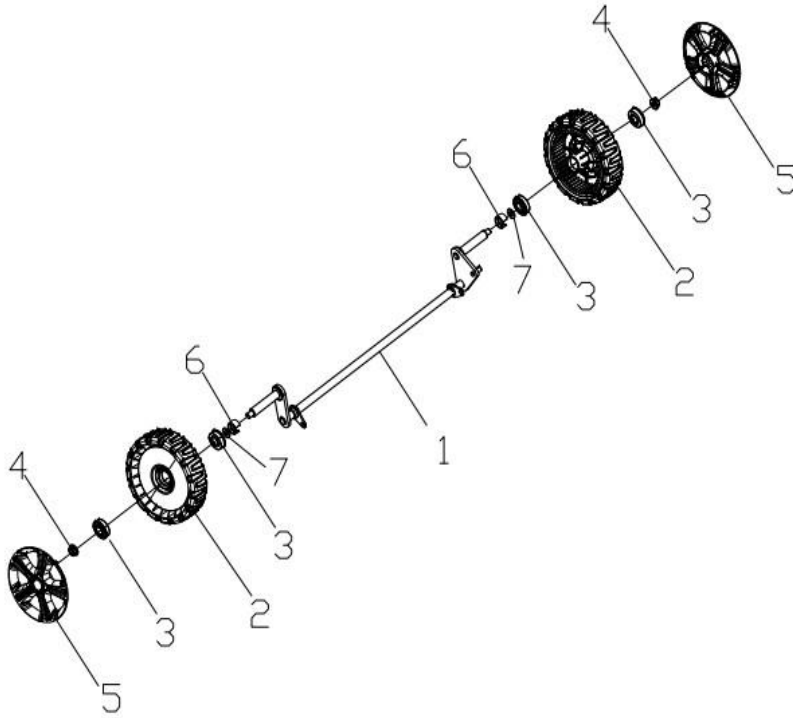
1	foam pipe	1
2	stop lever	1
3	Self-propelled Lever	1
4	upper handrail	1
5	Rope Guide	1
6	Cap nut	1
7	Brake Cable Assy plate	1
8	Bolt	2
9	Self-locking nut	2
10	Plastic stopper	1
11	brake cable	1
12	selfpropelled cable	1
13	quick fix knob	2
14	Pin	2
15	Quick Fix Handle	2
16	lock for fast fix handle	2
17	flat washer	4
18	lock nut	2
19	Hexagon nut	4
20	lower handrail	1
21	fastener	1

22	Hexagon head bolts	2
23	Half round head square neck boltsbolts	2
24	Hex lock nut	2
25	triangle knob	2

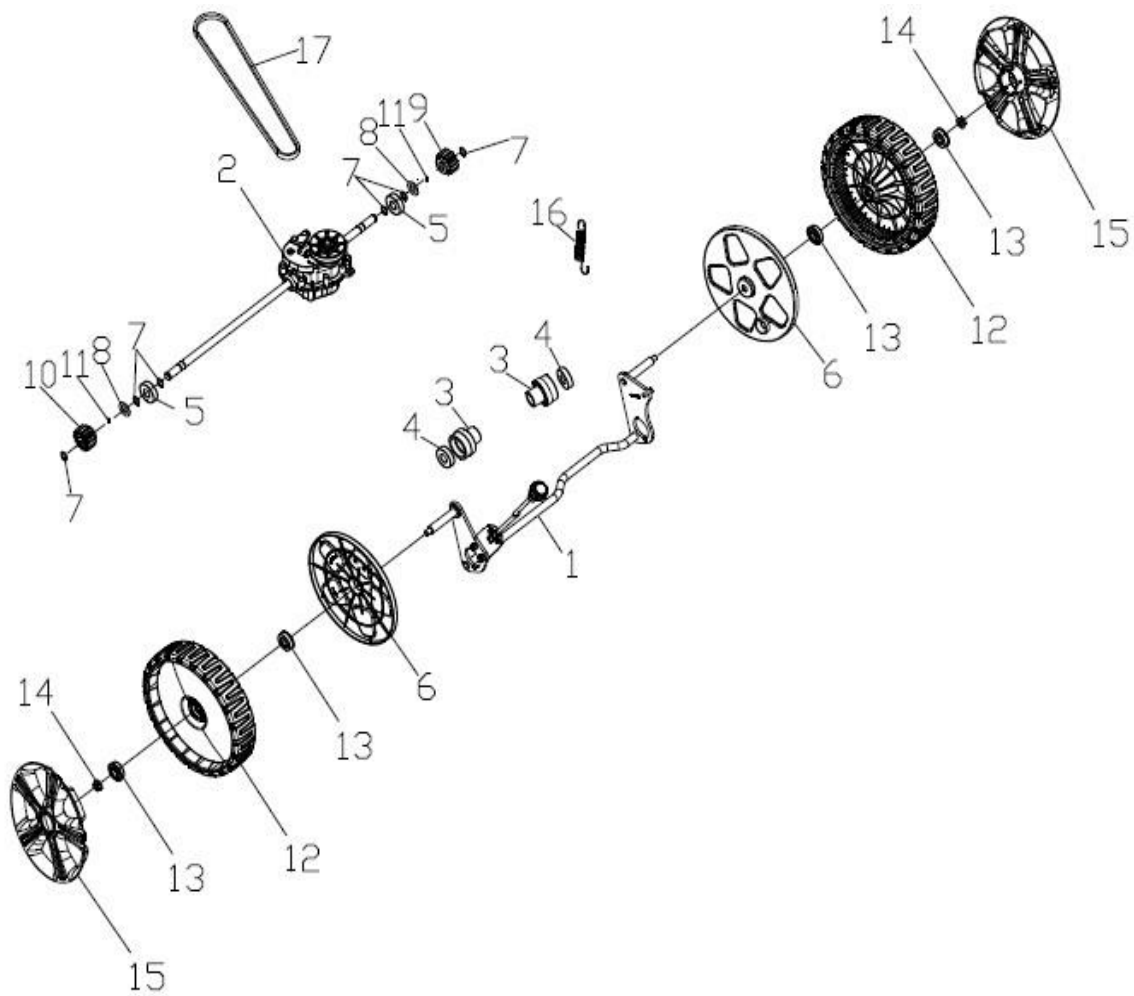


1	deck welding assy.	1
2	"O" ring	1
3	inlet	1
4	Pipe connector nut	1
5	cable stopper	1
6	left handle bracket	1
7	left handle bracket	1
8	Hexagon head bolts	4
9	Hex lock nut	4
10	height adjustment board	1
11	rear drive bracket	2
12	Hex tapping screws	6
13	Pull Spring for Pull Rod	1
14	Height Adjustment Pull Rod	1
15	R type pin	2
16	Bolt	2
17	Self-locking nut	2
18	mulching plug	1

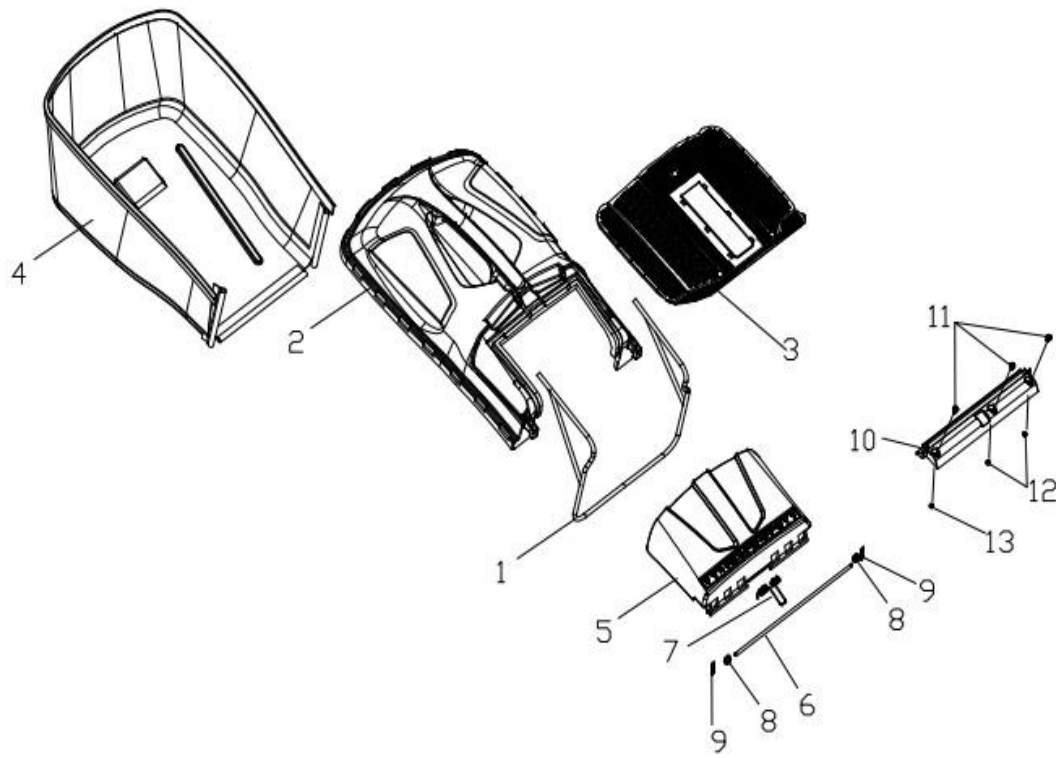
19	petrol engine	1
20	Bracket plate for defelctor	1
21	mulching board	1
22	side discharge cover	1
23	Mulch Shaft	1
24	mulch board spring	1
25	Phillips flat head self tapping screw	4
26	Phillips flat head self tapping screw	5
27	front mask	1
28	front mask	1



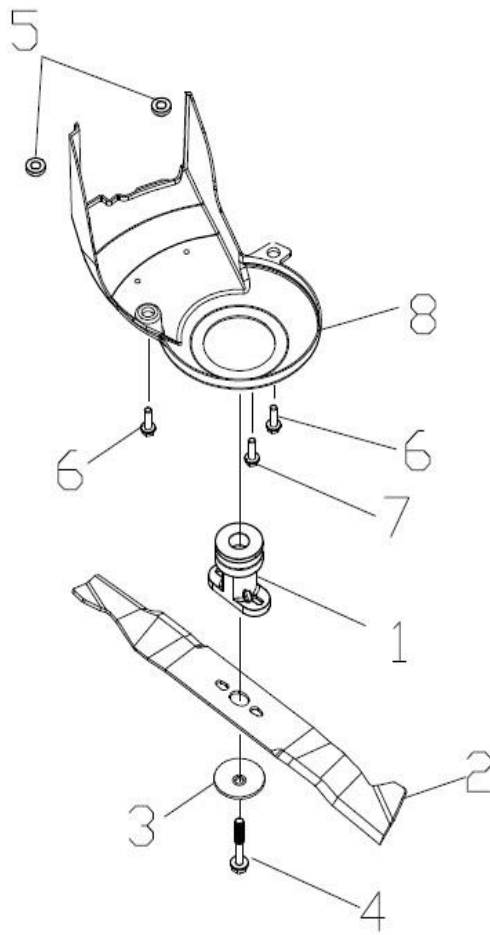
1	front drive assy.	1
2	wheel assy.	2
3	wheel punch bearing	4
4	Self-locking nut	2
5	outer cover of hub	2
6	front bracket fastener	2
7	flat washer	2




1	70850570000	rear drive assy.	1
	20270010130	height adjustment ball	1
2	70860330000	petrol engine	1
3	70600110000	bush	2
4	60020010000	bearing	2
5	20430140000	rear wheel axle sleeve	2
6	20610060000	inner cover of hub	2
7	60240060000	spring washer	6
8	21070030000	selfpropelled ratchet washer	2
9	70300190000	Ratchet Wheel L	1
10	70300200000	Ratchet Wheel R	1
11	60290080000	bratchet pin	2
12	20880330000	wheel assy.	2
13	60010110000	wheel punch bearing	4
14	60150090000	Self-locking nut	2
15	20620230830	outer cover of hub	2
16	60410140000	selfpropelled spring	1
17	60320060000	v belt	1



1	fabric metal frame	1
2	top of grass box	1
3	filter net of grass bag	1
4	fabric grass bag	1
5	rear discharge cover	1
6	Shaft for rear discharge cover	1
7	cover spring	1
8	lock washer	2
9	R type pin	2
10	rear discharge cover dust proof board	1
11	Bolt	3
12	Self-locking nut	2
13	Cap nut	1






1	Blade Adapter Assy	1
2	blade	1
3	blade washer	1
4	Inch hex flange bolts	1
5	Chassis bushing	2
6	Hexagon head self tapping screws	2
7	Hexagon China Division Head self tapping screws	1
8	belt cover	1

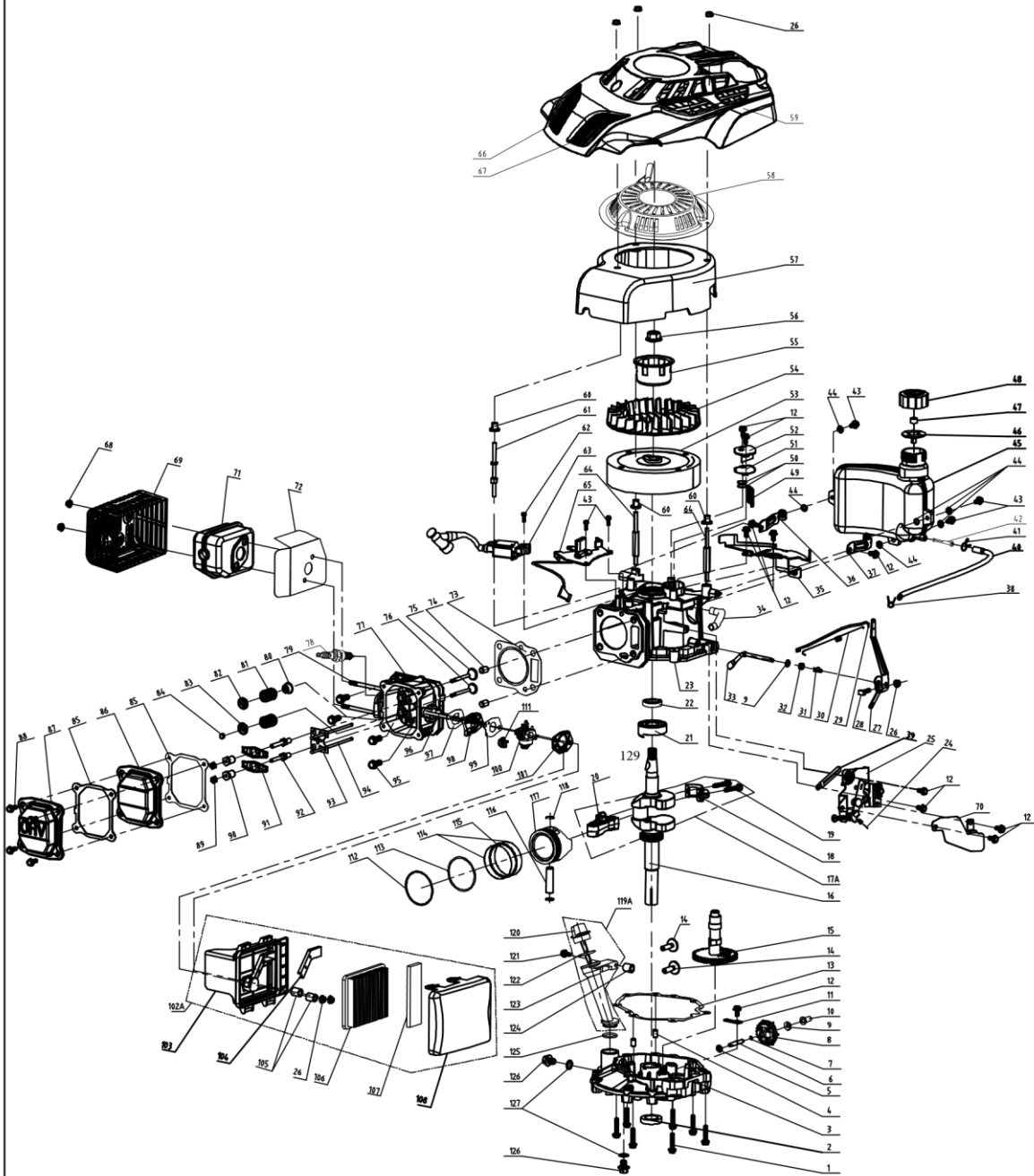
1	Blade Adapter Assy	
2	blade	

3	wheel assy.	
4	outer cover of hub	
5	wheel assy.	
6	outer cover of hub	
7	wheel punch bearing	
8	belt cover	

9	v belt	
10	quick fix knob	
11	Pin	
12	Quick Fix Handle	
13	flat washer	
14	lock nut	

15	Hexagon nut	 A 3D rendered image of a hexagonal nut, showing its six-sided shape and the internal threading.
16	mulching board	 A 3D rendered image of a mulching board, which is a curved, rectangular metal plate with a central slot and mounting tabs.
17	side discharge cover	 A 3D rendered image of a side discharge cover, a curved metal plate with a central slot and mounting tabs, similar to the mulching board but with a different shape.

T475- 2013



Part No.	English Description	Qty
1	Bolt	7
2	oil seal	1
3	Crank box cover	1
4	spacing pin	2

5	Gasket	1
6	rate-limiting gear shaft	1
7	Gear Shaft circlip	1
8	rete-limiting gear assy.	1
9	Gasket	2
10	Sliding Sleeve	1
11	rate-limiting gear shaft	1
12	Bolt	11
13	Seal Gasket of Crankcase	1
14	pin	2
15	camshaft assy.	1
16	crankshaft assy.	1
17	connecting rod assy.	1
18	connecting rod cap	1
19	connecting rod bolt	2
20	connecting rod body	1
21	rolling bearing	1
22	oil seal	1
23	crankshaft box	1
24	throttle control spring	1
25	throttle assy.	1
26	Hex flange nuts	6
27	throttle rocker arm	1
28	bolt	1
29	Handspike of Valve	1
30	valve spring	1
31	R type pin	1
32	oil seal	1
33	rate-limiting rocker arm shaft	1
34	waste pipe	1
35	main bracket of fuel tank	1
36	right bracket of fuel tank	1
37	left bracket of fuel tank	1
38	fuel pipe lock clamp	1
39	clip	1
40	fuel pipe	1
41	fuel pipe lock clamp	1
42	Filtering Net Duct of Fuel	1
43	Bolt	5
44	Cushion Blocking gasket	6
45	fuel tank body	1
46	Fuel Tank Cap seal gasket	1

47	fuel tank cap sponge	1
48	fuel tank cap	1
49	oil filter net	1
50	Valve Element of Respirator Cover	2
51	Gasket of Respirator Cover	1
52	Respirator Cover Plate Assy	1
53	flywheel assy	1
54	fan	1
55	starter hub	1
56	Hex flange nuts	1
57	Blower Housing	1
58	pull starter assy.	1
59	Engine Cover	1
60	Blower Housing Bush	1
61	Different-shaped double-head bolts I	1
62	Bolt	1
63	ignition assy.	1
64	Different-shaped double-head bolts II	2
65	Detent Assy	1
66	left decorative dilms	1
67	right decorative dilms	1
68	Self-locking nut	2
69	muffler cover assy.	1
70	throttle protector board	1
71	muffler assy.	1
72		1
73		1
74	spacing pin	2
75	IntakeValve	1
76	Exhaust Valve	1
77	cyclinder head assy.	1
78	spark plug	1
79	Dual-head bolts	2
80	oil seal assy	1
81	valve spring	2
82	Spring Coil of Intake Valve	1
83	Spring Coil of Exhaust Valve	1
84	Top Cover of Exhaust Valve	1
85		2
86	cyclinder head cover I	1
87	cyclinder head cover II	1
88	Bolt	4
89	And nuts	2
90	Valve adjustment nut	2
91	Rocker of Valve	2
92	valve rocker arm support bolts	2

93	push rod director plate	1
94	push rod	2
95	locking bolt	4
96	Dual-head bolts	2
97		1
98	Air Inlet Pipe	1
99		1
100	carburetor assy.	1
101	Steel Gasket	1
102		1
103	Air Filter Pedestal	1
104	Exhaust Gas Cover Board	1
105		2
106		1
107		1
108	Air Filter Upper Cover	1
111	prime button II	1
112	Piston Ring I	1
113	Piston Ring II	1
114	Guide Rail	2
115	Bushing Ring	1
116	piston pin	1
117	Piston	1
118	Piston Pin circlip	2
119	Lubricating Gauge Assy	1
120	Lubricating Gauge	1
121	Bolt	1
122	"O" Ring 25x3.1	1
123	Lubricating Pipe	1
124	Distance Sleeve of Lubricating Setting	1
125	"O" Ring 21x2.3	1
126	Oil drain bolt	2
127	Oil drain bolt gasket	2
129	Klin klukovej hriadele	1